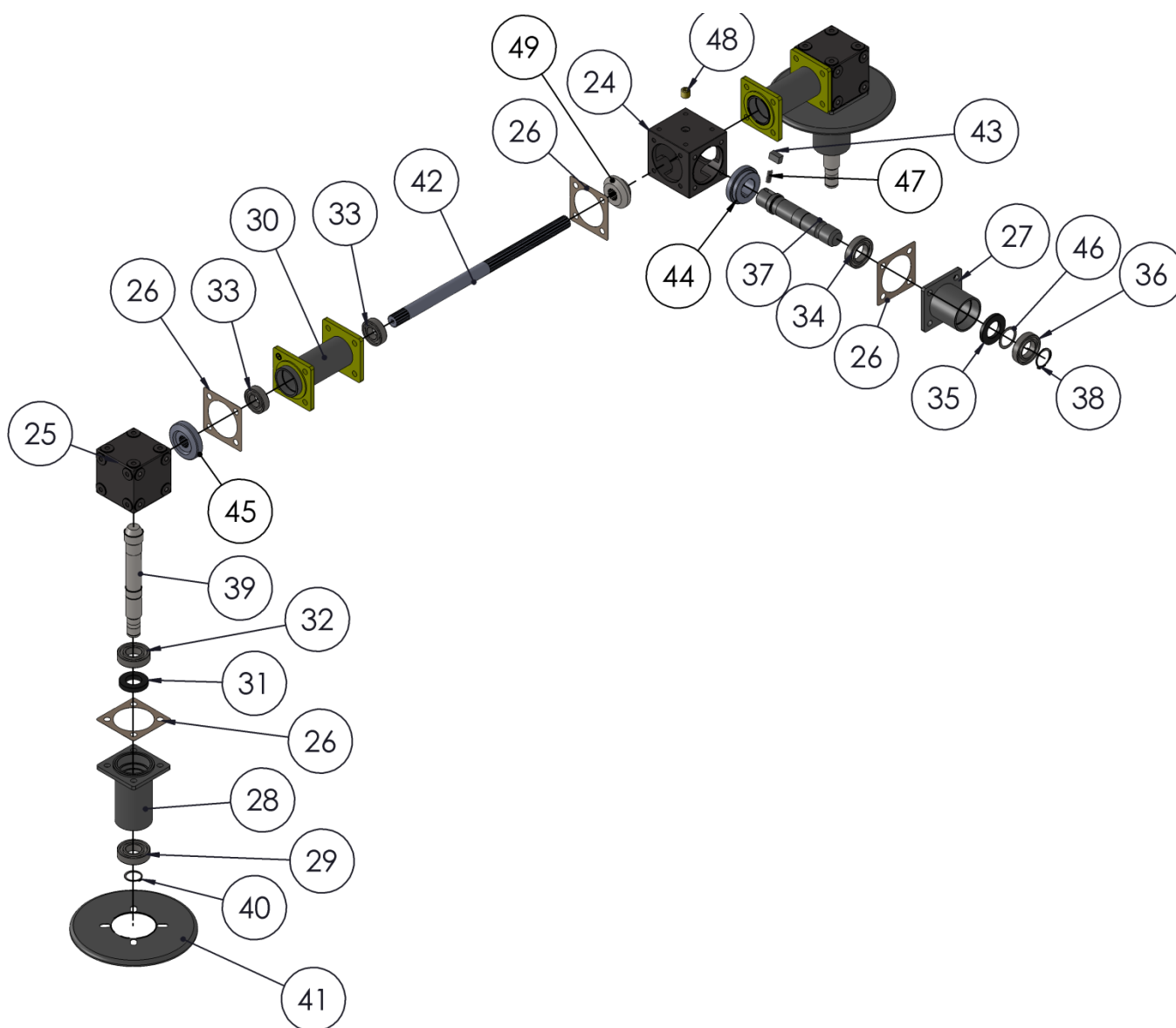


Item	Old Cod	Cod	Descrizione	Description	Q.ty	€
1	800ARC0002	800ARVC002A	TERZO PUNTO CAT1°	THREE POINT LINKAGE CAT1	1	€110,82
2	8BASCI0003	8BASIVC003A	TRASMISSIONE TFU1150	GEAR TRANSMISSION TFU1150	1	€898,50
2	8BASCI0002	8BASIVC002A	TRASMISSIONE TFU1000	GEAR TRANSMISSION TFU1000	1	€871,76
2	8BASCI0001	8BASIVC001A	TRASMISSIONE TFU800	GEAR TRANSMISSION TFU800	1	€838,66
2	8BASCI0004	8BASIVC004A	TRASMISSIONE TFU800 2000RPM	TRANSMISSION TFU800 2000RPM	1	€838,66
2	8BASCI0005	8BASIVC005A	TRASMISSIONE TFU1000 2000RPM	TRANSMISSION TFU1000 2000RPM	1	€871,76
2	8BASCI0006	8BASIVC006A	TRASMISSIONE TFU 1150 2000RPM	TRANSMISSION TFU1150 2000RPM	1	€898,50
3	8BADSS0003	8BARSVC003A	DISCO SUPERIORE TFU1150	UPPER DISC TFU1150	2	€93,18
3	8BADSS0002	8BARSVC002A	DISCO SUPERIORE TFU1000	UPPER DISC TFU1000	2	€89,77
3	8BADSS0001	8BARSVC001A	DISCO SUPERIORE TFU800	UPPER DISC TFU1000	2	€84,36
4	8BADSI0003	8BARIVC003A	DISCO INFERIORE TFU1150	LOWER DISC TFU1150	2	€58,17
4	8BADSI0002	8BARIVC002A	DISCO INFERIORE TFU000	LOWER DISC TFU1000	2	€48,82
4	8BADSI0003	8BARIVC001A	DISCO INFERIORE TFU800	LOWER DISC TFU800	2	€45,15
5	8BACOF0003	8BACFVC003A	COFANO TFU1150	BONNET TFU1150	1	€170,10
5	8BACOF0002	8BACFVC002A	COFANO TFU1000	BONNET TFU1000	1	€163,80
5	8BACOF0001	8BACFVC001A	COFANO TFU800	BONNET TFU800	1	€157,50
6	8BAARC0003	8BAARVC115A	PORTA TERZO PUNTO TFU1150	CARRIAGE LINKAGE TFU1150	1	€138,12
6	8BAARC0002	8BAARVC100A	PORTA TERZO PUNTO TFU1000	CARRIAGE LINKAGE TFU1000	1	€138,12
6	8BAARC0001	8BAARVC080A	PORTA TERZO PUNTO TFU800	CARRIAGE LINKAGE TFU800	1	€138,12
7	7TL0000006	7TL00LA006A	TELA TFU 1150	CURTAIN GUARD TFU1150	1	€58,15
7	7TL0000005	7TL00LA005A	TELA TFU 1000	CURTAIN GUARD TFU1000	1	€49,70
7	7TL0000004	7TL00LA004A	TELA TFU 800	CURTAIN GUARD TFU800	1	€45,25
8	5080250055	5080250055	CALETATORE Ø25	TAPPER LOCK Ø25	2	€8,40
9	5170130380	5170130380	TAPPO OLIO	OIL CAP	1	€ 1,21
10	5204710721	5204710721	LAMA	BLADE	06-08	€ 2,18
11	5269900008	5269900008	CUFFIA	PTO GUARD	2	€ 6,05
12	5269900010	5269900010	PERNO Ø22	PIN Ø22,2X22,5	2	€ 2,10
13	5269900011	5269900011	PERNO Ø19	PIN Ø19 WITH CHAIN	1	€ 2,66
14	5269900013	5269900013	CAVALLOTTO	U BOLT	4	€ 3,27
15	418000520F	418000520F	SEEGER Ø52	HOLE CIRCLIP Ø52x2	2	€ 1,58
16	501006205S	501006205S	CUSCINETTO 6205 2RS	BEARING 6205 2RS	2	€ 4,20
17	418000250A	418000250A	SEEGER Ø25	SHAFT CIRCLIP Ø25x1,5	1	€ 1,58
18	417AL48A12	417AL48A12	RIVETTO	RIVET	15	€1.05
19	414AN10S1D	414AN10S1D	RONDELLA	WASHER	12	€1.05
20	4148Z10P3D	4148Z10P3D	RONDELLA	WASHER	5	€1,05
21	4058Z10020	4058Z10020	VITE M10X20	SCREW M10x20	06-08	€ 1,05
22	4008Z10025	4008Z10025	VITE M10x25	SCREW M10X25	10	€1,05
23	4008Z10020	4008Z10020	VITE M10x20	SCREW M10x20	2	€1,05

Gruppo ingranaggi 540/1000rpm

Gear transmission 540/1000rpm



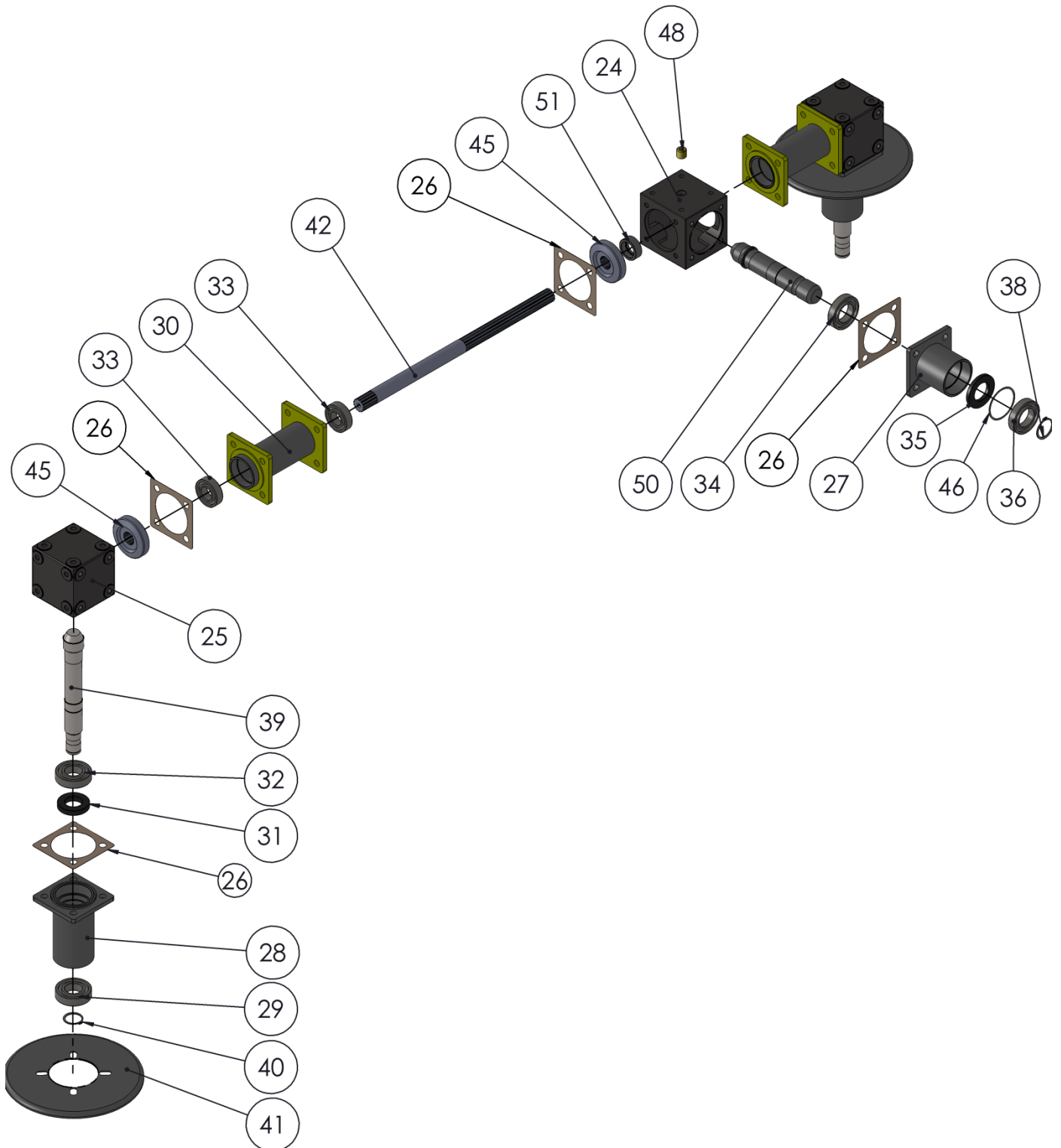
Gruppo ingranaggi 540/1000rpm

Gear transmission 540/1000rpm

Item	Old Cod	Cod	Descrizione	Description	Q.ty	€
24	7SLGH00006	7SLGHFA006A	SCATOLA INGRANAGGI CENTRALE	GEAR BOX	1	€44,50
25	7SLGH00003	7SLGHDA005A	SCATOLA INGRANAGGI 100x100	SIDE GEAR BOX	2	€42,57
26	513G107070	513G107070	GUARNIZIONE	GASKET	7	€1,05
27	8BADST0002	8BADSSA002A	SUPPORTO ALBERO PDF	PTO SHAFT SUPPORT	1	€44,80
28	8BADST0001	8BADSSA001A	SUPPORTO PIGNONE LATERALE	SIDE PINION SUPPORT	2	€46,56
29	501006206S	501006206S	CUSCINETTO 6206 2RS	BEARING 6206 2RS	2	€4,20
30	8BADST0003	8BADSSA005A	DISTANZIALE TFU800	SPACER SUPPORT TFU800	2	€50,85
30	8BADST0004	8BADSSA004A	DISTANZIALE TFU1000	SPACER SUPPORT TFU1000	2	€55,86
30	8BADST0005	8BADSSA003A	DISTANZIALE TFU1150	SPACER SUPPORT TFU1150	2	€61,63
31	519S305510	519S305510	PARAOILIO 30-55-10	SEAL RING 30-55-10	2	€ 1,94
32	5010062060	5010062060	CUSCINETTO 6206	BEARING 6206	2	€4,20
33	501006205S	501006205S	CUSCINETTO 6205 2RS	BEARING 6205 2RS	3	€4,20
34	5010060070	5010060070	CUSCINETTO 6007	BEARING 6007	1	€4,20
35	519S356207	519S356207	PARAOILIO 35-62-7	SEAL RING 35-62-7	1	€1,94
36	501006007S	501006007S	CUSCINETTO 6007 2RS	BEARING 6007 2RS	1	€4,20
37	7ABF300012	7ABF3TA012A	ALBERO PDF	PTOF SHAFT	1	€88,00
38	418000350A	418000350A	SEEGER 35x1.5	SHAFT CIRCLIP Ø35x1.5	1	€1,05
39	7PG1801008	7PG18TA008A	PIGNONE Z8	PINION Z8	2	€85,18
40	418000300A	418000300A	SEEGER Ø30	SHAFT CIRCLIP Ø30	2	€1,05
41	7DCF300010	7DCF3FA010A	PARAERBA	COVER PROTECTION	2	€ 6,09
42	7AB4000001	7AB40FA001A	ALBERO TRASVERSALE TFU800	MIDDLE SHAFT TFU800	1	€52,20
42	7AB4000002	7AB40FA002A	ALBERO TRASVERSALE TFU1000	MIDDLE SHAFT TFU1000	1	€54,80
42	7AB4000003	7AB40FA003A	ALBERO TRASVERSALE TFU1150	MIDDLE SHAFT TFU1150	1	€57,90
43	7CHF300001	7CHF3TA001A	CHIAVETTA RUOTA LIBERA	KEY FREE WHEEL	1	€5,25
44	7CO1800003	7CO18TA003A	CORONA Z15	GEAR Z15	1	€69,10
45	7CO1800002	7CO18TA002A	CORONA Z12	GEAR Z12	2	€63,26
46	430A625605	430A625605	SPESSORE Øe62 Ø56x0,5	SPACER Øe62 Øi56 X 0,5	1	€1,05
47	5150250810	5150250810	MOLLA A COMPRESSIONE	SPRING	1	€3,68
48	5170130380	5170130380	TAPPO OLIO Ø62x7	OIL TAP	1	€ 1,21
49	7PG1800003	7PG18TA003A	PIGNONE Z12	PINION Z12	1	€63,26

Gruppo ingranaggi 2000 rpm

Gear transmission 2000 rpm



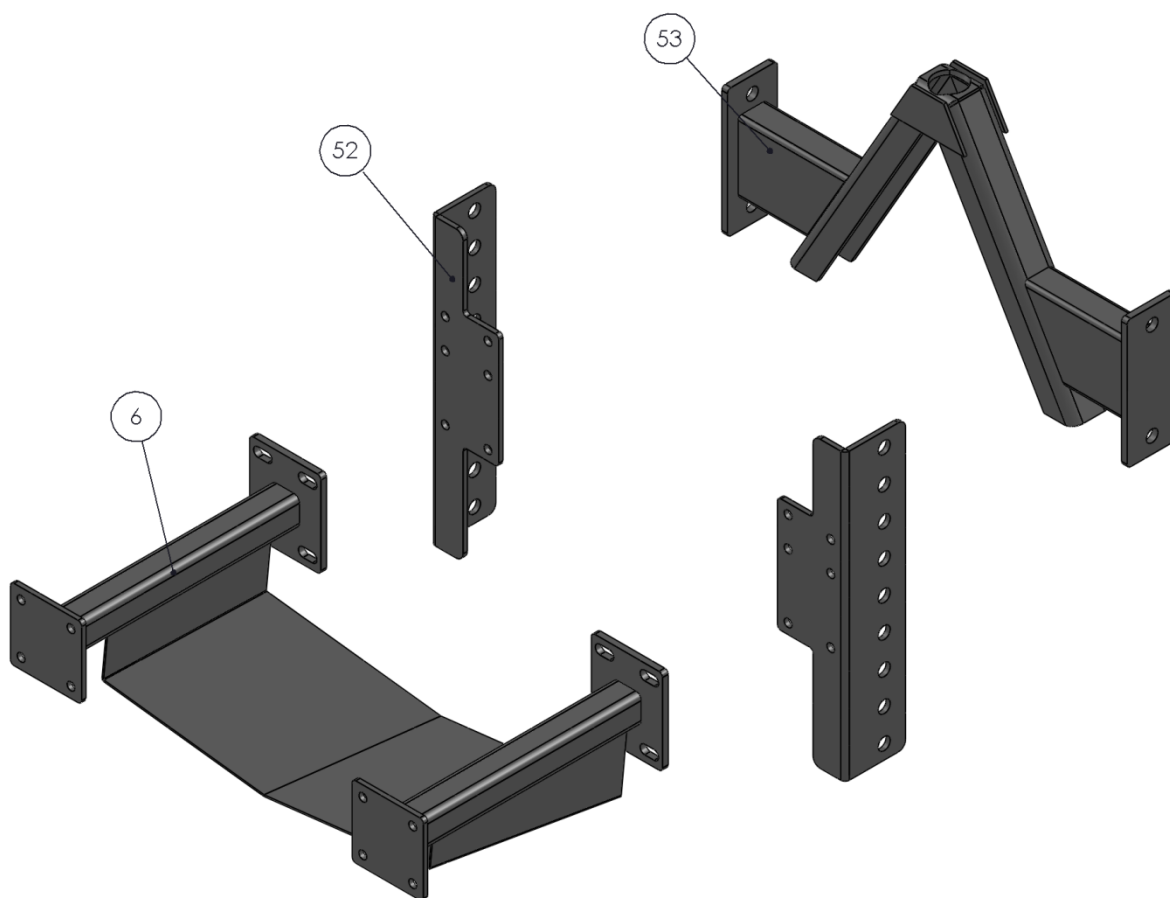
Gruppo ingranaggi 2000 rpm

Gear transmission 2000 rpm

Item	Old Cod	Cod	Descrizione	Description	Q.ty	€
24	7SLGH00006	7SLGHFA006A	SCATOLA INGRANAGGI CENTRALE	GEAR BOX	1	€44,50
25	7SLGH00003	7SLGHDA005A	SCATOLA INGRANAGGI 100x100	SIDE GEAR BOX	2	€42,57
26	513G107070	513G107070	GUARNIZIONE	GASKET	7	€1,05
27	8BADST0002	8BADSSA002A	SUPPORTO ALBERO PDF	PTO SHAFT SUPPORT	1	€44,80
28	8BADST0001	8BADSSA001A	SUPPORTO PIGNONE LATERALE	SIDE PINION SUPPORT	2	€46,56
29	501006206S	501006206S	CUSCINETTO 6206 2RS	BEARING 6206 2RS	2	€4,20
30	8BADST0003	8BADSSA005A	DISTANZIALE TFU800	SPACER SUPPORT TFU800	2	€50,85
30	8BADST0004	8BADSSA004A	DISTANZIALE TFU1000	SPACER SUPPORT TFU1000	2	€55,86
30	8BADST0005	8BADSSA003A	DISTANZIALE TFU1150	SPACER SUPPORT TFU1150	2	€61,63
31	519S305510	519S305510	PARAOLIO 30-55-10	SEAL RING 30-55-10	2	€ 1,94
32	5010062060	5010062060	CUSCINETTO 6206	BEARING 6206	2	€4,20
33	501006205S	501006205S	CUSCINETTO 6205 2RS	BEARING 6205 2RS	3	€4,20
34	5010060070	5010060070	CUSCINETTO 6007	BEARING 6007 2RS	1	€4,20
35	519S356207	519S356207	PARAOLIO 35-62-7	SEAL RING 35-62-7	1	€1,94
36	501006007S	501006007S	CUSCINETTO 6007 2RS	BEARING 6007 2RS	1	€4,20
38	418000350A	418000350A	SEEGER 35x1.5	SHAFT CIRCLIP Ø35x1.5	1	€1,05
39	7PG1801008	7PG18TA008A	PIGNONE Z8	PINION Z8	2	€85,18
40	418000300A	418000300A	SEEGER Ø30	SHAFT CIRCLIP Ø30	2	€1,05
41	7DCF300010	7DCF3FA010A	PARAERBA	COVER PROTECTION	2	€ 6,09
42	7AB4000001	7AB40FA001A	ALBERO TRASVERSALE TFU800	MIDDLE SHAFT TFU800	1	€52,20
42	7AB4000002	7AB40FA002A	ALBERO TRASVERSALE TFU1000	MIDDLE SHAFT TFU1000	1	€54,80
42	7AB4000003	7AB40FA003A	ALBERO TRASVERSALE TFU1150	MIDDLE SHAFT TFU1150	1	€57,90
45	7CO1800002	7CO18TA002A	CORONA Z12	GEAR Z12	1	€63,26
46	430A625605	430A625605	SPESSORE Øe62 Øi56x0,5	SPACER Øe62 Øi56 X 0,5	1	€1,05
48	517O130380	517O130380	TAPPO OLIO Ø62X7	OIL TAP	1	€ 1,21
50	7AB1800004	7AB18TA004A	ALBERO PDF 200RPM	PTO SHAFT TFU 2000 RPM	1	€99,90
51	7SPF300020	7SPF3FA020A	SPESSORE Øe40 Øi 30/25 L=15mm	SPACER Øe40 Øi30/25 x 15	1	€4,20

ATTACCO A TRIANGOLO CAT Ø

TRIANGLE LINKAGE CAT Ø



Item	Old Cod	Cod	Descrizione	Description	Q.ty	€
6	8BAARC0003	8BAARVC115A	PORTA TERZO PUNTO TFU1150	CARRIAGE LINKAGE TFU1150	1	€138,12
6	8BAARC0002	8BAARVC100A	PORTA TERZO PUNTO TFU1000	CARRIAGE LINKAGE TFU1000	1	€138,12
6	8BAARC0001	8BAARVC080A	PORTA TERZO PUNTO TFU800	CARRIAGE LINKAGE TFU800	1	€138,12
52		7ANF3VC014B	ANGOLARE PORTA ATTACCO	TRIANGLE LINKAGE SUPPORT	2	€28,30
53	800ARC00001	800ARVC001A	ATTACCO A TRIANGOLO CAT Ø	TRIANGLE LINKAGE CAT Ø	1	€157,50